

GLADIATOR USA Size

Explore Beyond Boundaries





www.restarglobal.com

Pioneering Innovation in Mobility and Outdoor Living

Restar, founded in 2015, is a visionary leader known for its innovation, sustainability, and superior performance across multiple sectors. We transform the way people experience mobility, outdoor activities, and industrial solutions with high-quality, sustainable products.

Our state-of-the-art production facilities in Kocaeli, Gebze Organized Industrial Zone, use advanced technologies like 3D modeling and robotics to ensure top-quality manufacturing. Our AR-GE center, staffed by expert engineers, develops advanced caravan and mobility solutions using durable, lightweight, fiber-reinforced composite materials.

Restar's global presence includes Europe, the US, Canada, Australia, the Middle East, and North Africa, supported by an extensive dealer network.

hotomobil.com

Our flagship brand, Hotomobil, redefines mobile living with innovative motorhomes, camper vans, and caravans, while Urban Badger offers premium outdoor and adventure gear.

Committed to quality, sustainability, and customer satisfaction, Restar leads the way in modern mobility and outdoor living solutions, impacting lifestyles worldwide.





Gladiator USA Size

Ultimate Space & Comfort on every Adventure

KEY FEATURES

Gladiator USA sizes combines the power of 4x4 vehicles and the capacity of American pick-ups with Hotomobil's advanced mobile living quality, offering a more spacious and luxurious experience for your outdoor adventures.

Designed for large pick-ups like Ford F-150, F-250, and F-350, Chevrolet Silverado, and GMC Sierra models, it provides accommodation for up to 5 people with the optional add-on tent.

● **Mobile Living Cabin, Easily Mountable and Dismountable**



The cabin can be easily mounted and dismounted onto your vehicle without the need for a service.

This feature allows you to load the cabin only when needed, use it independently of the vehicle, and easily transfer the cabin to a new vehicle if you decide to change your pickup.

● **Compatible with large Pickup Trucks**

Gladiator USA Sizes are compatible with American pick-ups including Ford F-150, F-250, F-350, Chevrolet Silverado 2500 HD, 3500 HD, and GMC Sierra 2500, 3500 models.

Refer to the table on the next page to see which Gladiator model is compatible with your vehicle.



IMPORTANT NOTICE



Before purchasing, please compare the technical dimensions provided on our website with your existing pick-up vehicle's bed size. Ensure the cabin will be suitable for your vehicle.

Additionally, our website features a section where you can enter your vehicle's measurements and consult with our sales experts to determine the most compatible Gladiator model for you.

Feel free to use the link below to ensure proper compatibility and receive personalized support.



<https://hotomobil.com>

Compatibility

Brand	Model	Cab Type	Cargo Bed Length (cm)	Gladiator L	Gladiator XL	Gladiator XLE	Cargo Bed Width (cm)	Cargo Bed Height (cm)	Between Wheelhouse (cm)
			Cabin Floor Length(cm)	162	190	230			
			Cabin Width Between Wheelhouse (cm)	124	124	124			
			Interior Height (cm)	195	195	195			

FORD	F-150	Regular Cab	198	2/0●	1/●-J	3/●-	165	54	128
			243	2/0●	2/0●	1/●-J	165	54	128
		SuperCab	198	2/0●	1/●-J	3/●-	165	54	128
			247	2/0●	2/0●	1/●-J	165	54	128
		SuperCrew	167	1/●-J	3/●-	x	165	54	128
			198	2/0●	1/●-J	3/●-	165	54	128
	F-250	Regular Cab	249	2/0●	2/0●	1/●-J	169	53	128
			208	2/0●	2/0●	3/●-	169	53	128
		SuperCab	249	2/0●	2/0●	1/●-J	169	53	128
			208	2/0●	2/0●	3/●-	169	53	128
		CrewCab	249	2/0●	2/0●	1/●-J	169	53	128
			208	2/0●	2/0●	3/●-	169	53	128
	F-350	Regular Cab	249	2/0●	2/0●	1/●-J	169	53	128
			208	2/0●	2/0●	3/●-	169	53	128
		SuperCab	249	2/0●	2/0●	1/●-J	169	53	128
			208	2/0●	2/0●	3/●-	169	53	128
		CrewCab	249	2/0●	2/0●	1/●-J	169	53	128
			208	2/0●	2/0●	3/●-	169	53	128
	F-450	SuperCab	208	2/0●	2/0●	3/●-	169	53	128
			249	x	2/0●	1/●-J	169	53	128

CHEVROLET	Silverado 1500	Regular Cab	201	2/0●	1/●-J	3/●-	181	57	128
			249	2/0●	2/0●	1/●-J	181	57	128
		Double Cab	201	2/0●	1/●-J	3/●-	181	57	128
			177	1/●-J	3/●-	3/●-	181	57	128
		201	2/0●	1/●-J	3/●-	181	57	128	
	Silverado 1500 ZR2	CrewCab	177	1/●-J	3/●-	3/●-	181	57	128
	Silverado 2500 HD	Regular Cab	249	2/0●	2/0●	1/●-J	181	53	128
			208	2/0●	1/●-J	3/●-	181	53	131
		Double Cab	249	2/0●	2/0●	1/●-J	181	53	128
			208	2/0●	1/●-J	3/●-	181	53	131
		CrewCab	249	2/0●	2/0●	1/●-J	181	53	128
	Silverado 3500 HD	Regular Cab	249	2/0●	2/0●	1/●-J	181	53	128
			249	2/0●	2/0●	1/●-J	181	53	128
		Double Cab	208	2/0●	1/●-J	3/●-	181	53	128
			249	2/0●	2/0●	1/●-J	181	53	128

GMC	Sierra 1500	Regular Cab	201	2/0●	1/●-J	3/●-	181,4	56,9	128,6
			249	x	x	x	181,4	56,9	128,6
		Double Cab	201	2/0●	1/●-J	3/●-	181,4	56,9	128,6
			177,6	x	3/●-	x	181,4	56,9	128,6
		Crew Cab	201,8	2/0●	1/●-J	3/●-	181,4	56,9	128,6
	Sierra 2500 HD	Regular Cab	249,6	2/0●	2/0●	1/●-J	181,4	53,3	128,4
			209,0	2/0●	1/●-J	3/●-	181,4	53,3	131,7
		Double Cab	249,6	2/0●	0●	1/●-J	181,4	53,3	128,4
			208,8	2/0●	1/●-J	3/●-	181,4	53,3	131,7
		Crew Cab	249,6	2/0●	2/0●	1/●-J	181,4	53,3	128,4

Compatibility

DODGE	RAM 1500	Regular Cab	193,8	1/●-	1/●-	3/●-	168,7	54,6	129,5
			249,7	2/o●	2/o●	1/●-	168,7	51,3	129,5
		Crew Cab	171,2	1/●-	3/●-	x	168,7	54,4	129,5
			193,8	2/o●	1/●-	3/●-	168,7	54,6	129,5
	Quad Cab	193,8	2/o●	1/●-	3/●-	168,7	54,6	129,5	
	RAM 2500	Regular Cab	193,0	2/o●	1/●-	3/●-	168,7	51,3	129,5
			193,8	2/o●	1/●-	3/●-	168,7	51,3	129,5
		Crew Cab	249,7	2/o●	2/o●	1/●-	168,7	51,3	129,5
			193,8	2/o●	1/●-	3/●-	168,7	51,3	129,5
	Mega Cab	193,8	2/o●	1/●-	3/●-	168,7	51,3	129,5	
	RAM 3500	Regular Cab	249,7	2/o●	2/o●	1/●-	168,7	51,3	129,5
			193,8	2/o●	1/●-	3/●-	168,7	51,3	129,5
Crew Cab		249,7	2/o●	2/o●	1/●-	168,7	51,3	129,5	
		193,8	2/o●	1/●-	3/●-	168,7	51,3	129,5	

Nissan	Titan	Crew Cab	168	1/●-	3/●-	x	156	53	127
	Titan	King Cab	197	2/o●	1/●-	3/●-	162	53	127
	Titan XD	Crew Cab	200	2/o●	1/●-	3/●-	162	53	127

Honda	Ridgeline	Double Cab	162	3/●-	3/●-	3/●-	152	42	127
--------------	-----------	------------	-----	------	------	------	-----	----	-----

1/●-	Hatch closed.
2/o●	Cabin shorter than cargo bed,hatch closed.
3/●-	Cabin over the hatch,hatch opened.
x	Not Suitable

Before purchasing the product, please compare technically the dimensions on the website with your existing pick-up vehicle's bed size and make sure that the cabin would be suitable for the vehicle.



When calculating the standard cabin dimensions, any optional parts or add-ons in the bed of pick-up vehicle, which are added/assembled later at the factory, are not taken into account. Please take this into consideration.

Vehicle manufacturers may change cabin dimensions without notice.

CABIN FITCHECK SERVICE

scan me



With our new technical support service for Gladiator EU and Gladiator USA size models, you can now share the measurements of your vehicle's rear chassis with us. After entering the necessary information and measurements, our expert team will determine which Hotomobil cabin model fits your vehicle perfectly and inform you within 24 hours. This way, we help you make the right cabin choice quickly and reliably.



● **Guaranteed Sealing with Monocoque Body**

Manufactured with an antibacterial, flame-resistant Fiberglass Monocoque body. It is rustproof and, due to the absence of joints, it is completely waterproof, leak-proof, and prevents moisture buildup.



Gladiator Waterproof Test

Each cabin undergoes a waterproof test during the quality control process to ensure it meets the highest standards of water resistance.



What Does "Monocoque" Mean ?

Monocoque means that it is produced as a single piece, without any joints.

This design ensures maximum durability and prevents any potential leaks or weak points.



● **Excellent insulation makes it suitable for year-round use**

Thanks to its 20 mm high-density polyurethane insulation, it is suitable for use throughout all four seasons. The strong insulation creates a thermos effect, keeping the interior warm when heated and maintaining the same temperature for an extended period when cooled.

EXCELLENT INSULATION



ADVANCED TECHNOLOGY for SUPERIOR INSULATION

Utilizing Hotomobil's innovative technology and the best insulation methods we create a thermos effect that ensures the optimal and most comfortable temperature inside.

This high-quality insulation maintains *"the perfect indoor climate"* regardless of the weather outside, providing superior comfort for all your adventures.



Experience Ultimate Comfort in any Climate with *Gladiator*

With its 20 mm high-density polyurethane insulation, **Gladiator** is engineered for exceptional all-season use.

This advanced insulation technology creates a thermos effect, ensuring warmth during freezing winters and maintaining a cool interior in scorching desert heat.

Whether you're exploring **icy terrains** or **hot dunes**, Gladiator guarantees unmatched comfort and performance.

Embrace limitless travel adventures with Gladiator, where extreme weather conditions are no obstacle to your comfort and enjoyment.



● Increased Space and Comfort with Versatile Living Space

Gladiator USA Size models are available in three editions: L, XL and XLE. Each edition offers different sizes to suit various needs, with the XLE edition providing the most spacious option.

Features a larger bathroom, enhanced kitchen area with a 90L refrigerator, a larger two-burner stove, and expanded storage spaces, including a hanger cabinet.

Offers a cozy sitting area that converts to a single bed, alongside a king-size bed, making it suitable for family use.







TECHNICAL SPECIFICATIONS

	Gladiator L	Gladiator XL	Gladiator XLE
Type	American Pick up Vehicles	American Pick up Vehicles	American Pick up Vehicles
Body	Monocoque and Nonflameable	Monocoque and Nonflameable	Monocoque and Nonflameable
Bed Capacity	3 (with options up to 5 people)	3 (with options up to 5 people)	3 (with options up to 5 people)
Bed Size	205 x 165 cm	205 x 165 cm	205 x 165 cm
Alcove	85 cm	85 cm	85 cm
Total Length	343 cm	370 cm	410,5 cm
Interior Height	195 cm	195 cm	195 cm
Total Width	210 cm	210 cm	210 cm
Total Height	203 cm	203 cm	203 cm
Fresh Water Tank	50 L	55 L	75 L
Waste Water Tank	50 L	30 L	75 L

COLOR OPTIONS



Desert Poliurea



Grey Poliurea



Khaki Poliurea



Black Poliurea



Dark Blue Fiber



Yellow Fiber



Standard White Fiber



Conquer Every Terrain in Comfort

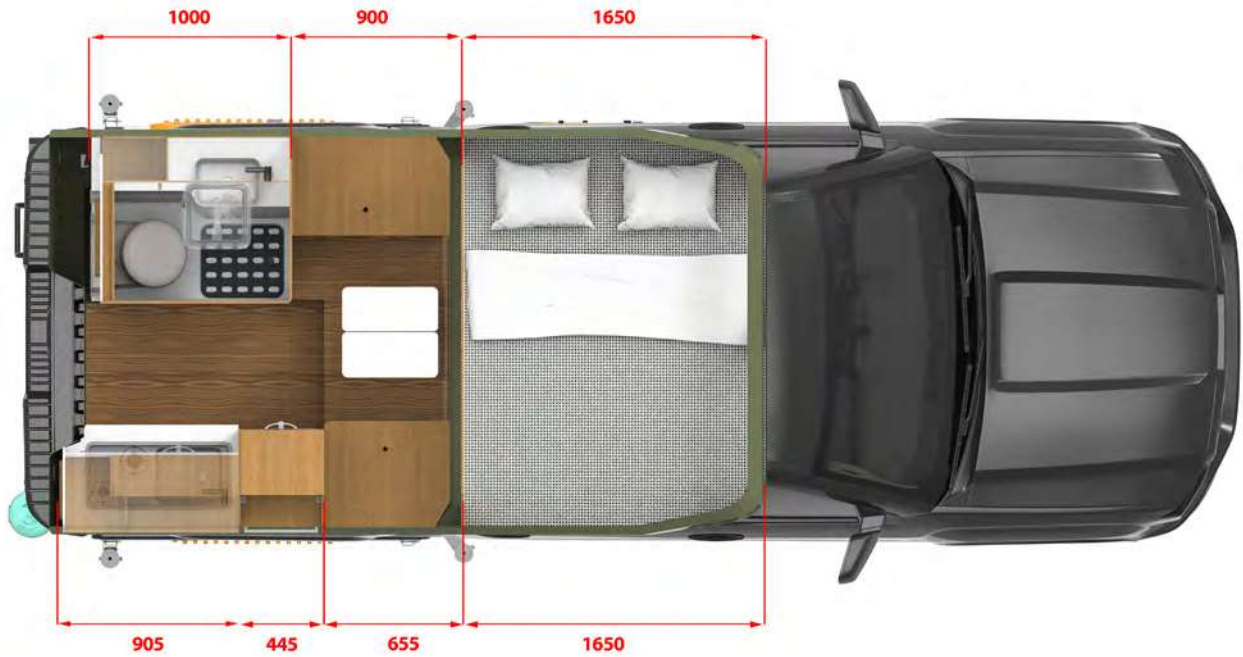


GLADIATOR L



GLADIATOR XL

Cabin Dimensions

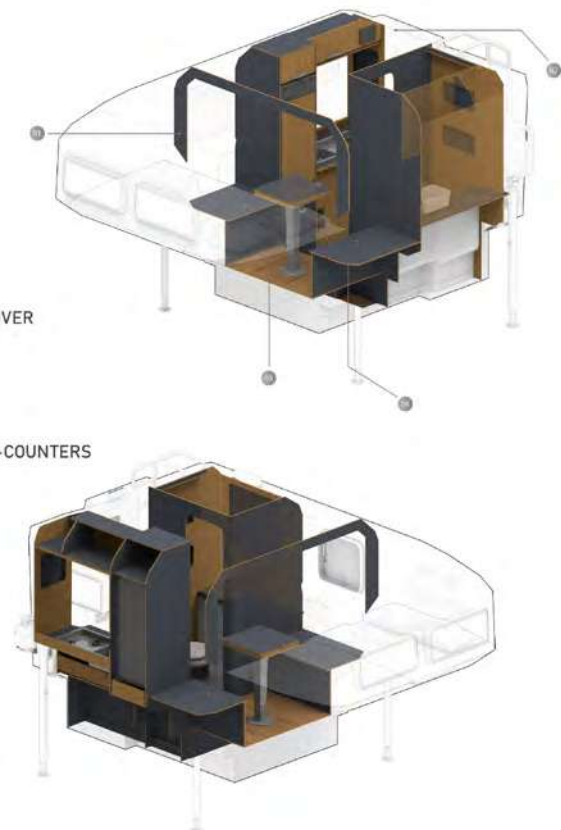


CONCEPT OPTIONS

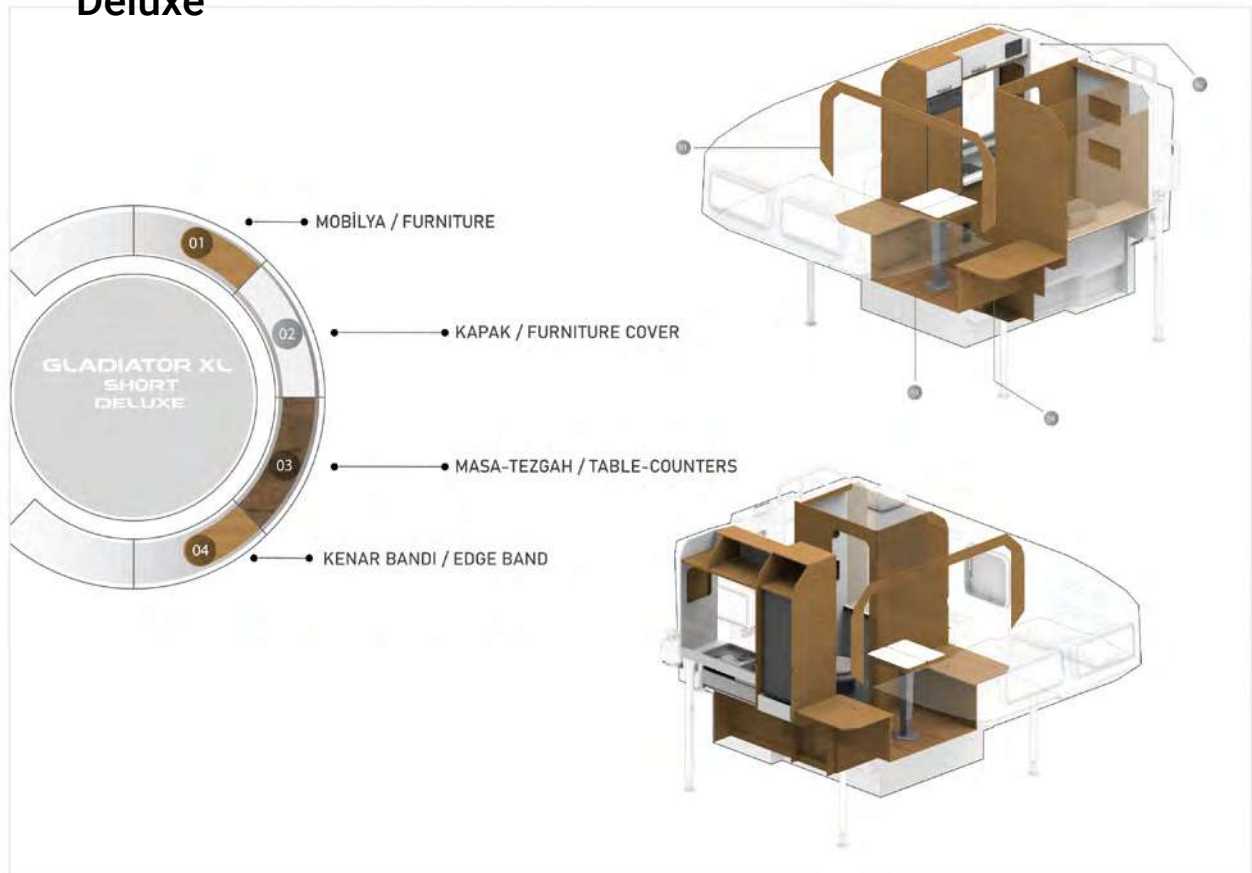
Royal



Sis

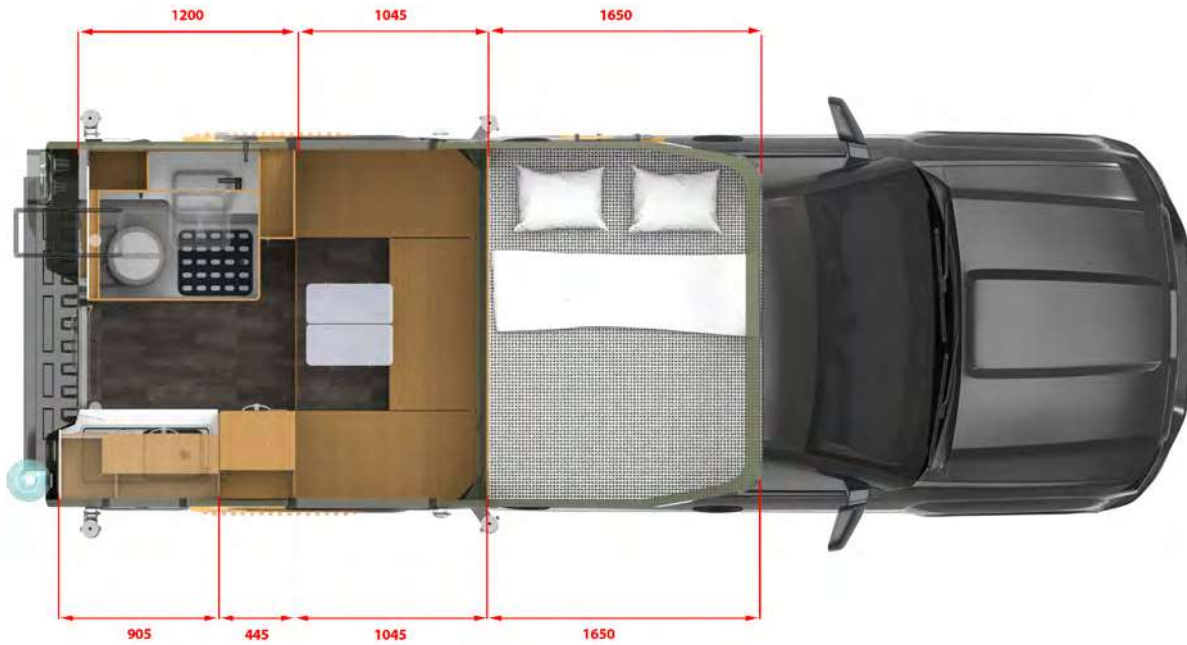


Deluxe

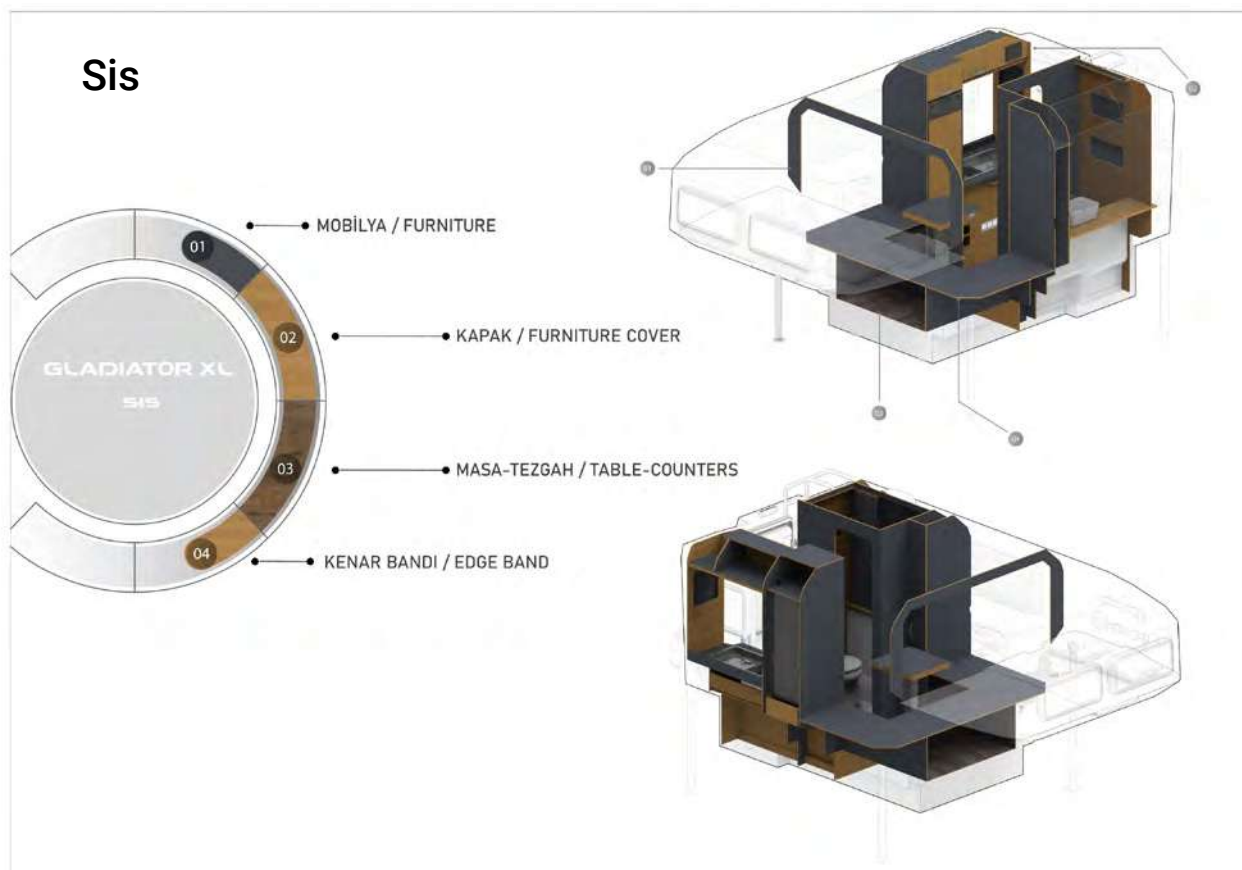
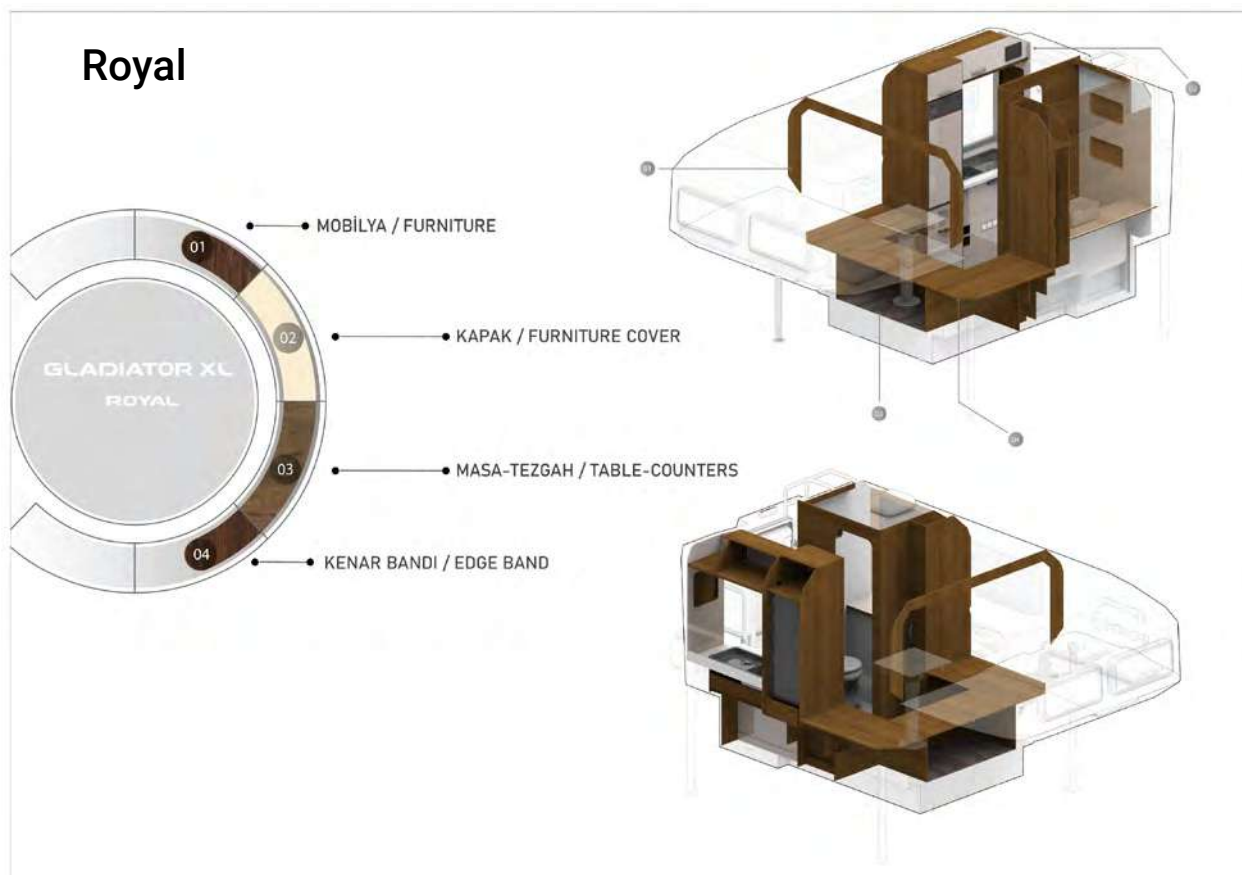


GLADIATOR XLE

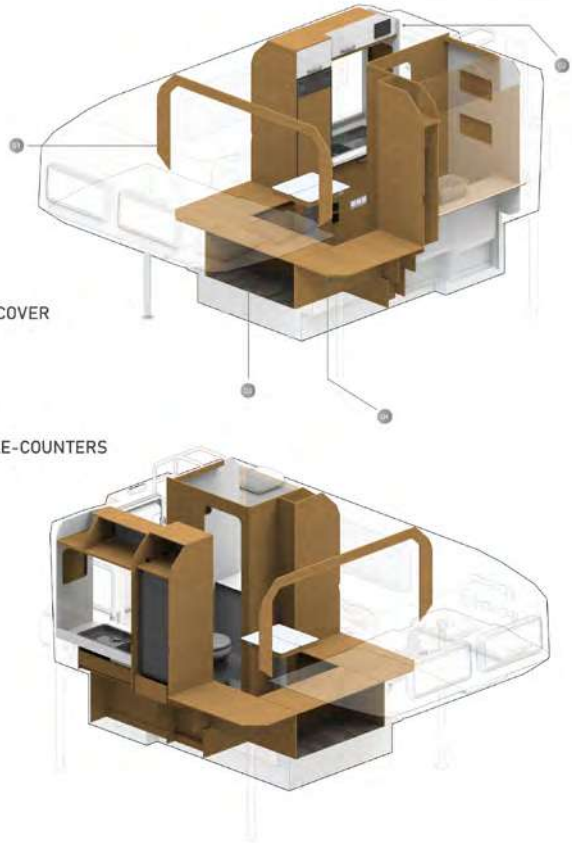
Cabin Dimensions



CONCEPT OPTIONS



Deluxe



Packages

GLADIATOR USA SIZE			
	LIGHT EDITION / GLADIATOR L	PREMIUM PACKAGE / GLADIATOR XL	EXCLUSIVE PACKAGE / GLADIATOR XLE
Weight	635 KG	820 KG	900 KG
Cabin Floor Length	162 cm	190 cm	230 cm
Cabin width between wheelhouses	124 cm	124 cm	124 cm
Interior Height	195 cm	195 cm	195 cm
Body	Monocoque and non-flammable body	Monocoque and non-flammable body	Monocoque and non-flammable body
Interior Concept	Luxury Design	Luxury Design	Luxury Design
External Equipment	Locked Water Filling Port & 220 V External Energy Input	Locked Water Filling Port & 220 V External Energy Input	Locked Water Filling Port & 220 V External Energy Input
Size	Light	Short Size	Extended Size
Bathroom	Gladiator Usa Size Bathroom & Hack with fan	Gladiator Usa Size Bathroom & Hack with fan	Gladiator Usa Size Bathroom & Hack with fan
Isolation	18 mm Super Thermos Effect	20 mm Thermos Effect	20 mm Thermos Effect
Furniture	Low Density Laminate	Laminate on counter	Laminate on counter
Air Heating System	Diesel Heater Eberspacher D2L 12V	Diesel Heater Eberspacher D2L 12V	Diesel Heater Eberspacher D2L 12V
Water Heater System	Truma Therme 220V with frost kontrol	Truma Therme 220V with frost kontrol	Truma Therme 220V with frost kontrol



	LIGHT EDITION / GLADIATOR L	PREMIUM PACKAGE / GLADIATOR XL	EXCLUSIVE PACKAGE / GLADIATOR XLE
Service Battery	Lifepo4 150Ah Lithium Battery	Lifepo4 150Ah Lithium Battery	Lifepo4 150Ah Lithium Battery
Control Panel	Electronic Control Panel (7 inch)	Electronic Control Panel (7 inch)	Electronic Control Panel (7 inch)
Gas Sensor	Gas Sensor(CBE)	Gas Sensor(CBE)	Gas Sensor(CBE)
Outdoor Shower System	Reich	Reich	Reich
Fresh Water Tank	55 L	50 L	75 L
Waste Water Tank	30 L	50 L	75 L
Living Room Window	Berhimi 50x30 (2x) Living Room Window	Berhimi 45x50 (2x) Living Room Window	Berhimi 90x50 (2x) Living Room Window
Kitchen Window	Berhimi 70x30 (1x) Kitchen Windows	Berhimi 70x30 (1x) Kitchen Windows	Berhimi 70x30 (1x) Kitchen Windows
Bedroom Windows	Berhimi 70x30 (2x) Bedroom Windows	Berhimi 70x30 (2x) Bedroom Windows	Berhimi 70x30 (2x) Bedroom Windows
Kitchen	Sink & 1 Burn Stove(Foldable) & Tap	Sink & 2 Burn Stove(Foldable) & Tap	Sink & 2 Burn Stove(Foldable) & Tap
Kitchen Upper Cabinet	Kitchen Upper Cabinet	Kitchen Upper Cabinet	Kitchen Upper Cabinet
Awning	Hotomobil / Berhimi Awning	Hotomobil / Berhimi Awning	Hotomobil / Berhimi Awning
Entrance Door Lighting	Sanel	Sanel	Sanel
Interior Lighting Packet	ECE R 10 Electromagnetic Light Cable	2x Reading Lamp & 3x Extra Lights & LED System	2x Reading Lamp & 3x Extra Lights & LED System
External Lighting Package	2X Lighting	2X Lighting	3X Lighting
Inverter	Linetech 1000W Inverter	Linetech 1000W Inverter	Linetech 1000W Inverter
Solar Energy System	170 W Solar Panel & MPPT 30A (Flexible)	205 W Solar Panel & MPPT 30A	205 W Solar Panel & MPPT 30A
Toilet	Electronic Portable Toilet	Cassette Toilet C223	Cassette Toilet C223
Adventure Package	Sand Palette & Axe & Shovel	Sand Palette & Axe & Shovel	Sand Palette & Axe & Shovel
Exterior Coating	Standard White Fiber	Gladiator XL Polyurea Exterior Coating	Gladiator XL Polyurea Exterior Coating
Extra Cupboard +& Fridge Thetford 90 L	-	Extra Cupboard & Fridge Thetford 90 L	Extra Cupboard & Fridge Thetford 90 L



Optional equipment is available to suit your preferences and needs.

GET a QUOTE

Discover Your Perfect Gladiator Get a Quote Today!

Tailor Your Gladiator to Fit Your Unique Style and Needs

At Hotomobil, we believe that your mobile living experience should be as unique as you are. That's why we offer a comprehensive customization process for the Gladiator model, allowing you to select the perfect combination of features, colors, and accessories to suit your lifestyle.

Whether you want to choose from a range of striking colors, add practical enhancements or equip your Gladiator with advanced features like air conditioner and a state-of-the-art solar energy system, we've got you covered.

Our "Get a Quote" page is designed to make this process as seamless as possible.

Simply visit our website, select your desired Gladiator configuration, and submit your request. Our team will provide you with a personalized quote based on your selected features and options.

Start customizing today and get ready to embark on your next journey with the ultimate mobile living solution.

Create a Quote





What is missing here ?



URBAN BADGER

Enhance Your Adventure...

Your Ultimate Companion for Every Journey

Urban Badger products bring unparalleled comfort and convenience to every outdoor setting, from adventures to vacations.

Imagine enjoying ice-cold beverages, sleeping comfortably, and cooking gourmet meals with compact, practical kitchen gear. Our lightweight, portable camping equipment is designed to open up when needed and pack down small for easy storage, ensuring that your outdoor experience is as comfortable as home.

With the **Urban Badger Ultimate Outdoor Bundle**, transform your Gladiator XL journeys into,

Mobile Living
in *Style*

Explore the full range of Urban Badger products and elevate your adventures.

urbanbadger.de



Gladiator Ultimate Outdoor Bundle



The Ultimate Outdoor Bundle is the perfect companion for your **Hotomobil Gladiator** journeys, offering essential camping and outdoor equipment for a comfortable and adventurous experience.

To explore our full range of **Urban Badger** products, visit our website. This starter set is just the beginning, check out our site for additional gear to meet all your needs.

New products are added regularly to make your outdoor life easier.



2pc

Laguz Foldable
Water Bottle

Product Code: ECTURB100005



2pc

Fehu Folding
Cutlery Set

Product Code: ECTURB100011



1pc

Muspel Foldable
Camping Grill

Product Code: ECTURB100017



1pc

Freyr Camping Pot

Product Code: ECTURB100026



1pc

Eost 1.6 Lt
Camping Kettle

Product Code: ECTURB100028



1pc

Sigr Camping Pan

Product Code: ECTURB100030



1pc

Odin Aluminum
Foldable Table

Product Code: ECTURB100034



2pc

Loki Foldable Chair & Bag

Color Options:
Red\Blue\Orange\Light Blue

Product Code: ECTURB100037



1pc

Njord 2-4 Person
Camping Kitchen Set

Product Code: ECTURB100024



1pc

Foldable Bucket

Product Code: ECTURB100014



1pc
each

Heimdall Fire Box &
Surtur Fire Stand

Product Code: ECTURB100019 - 18

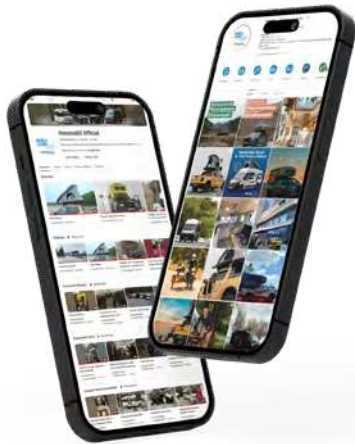


1pc

Wunjo 1.5x2M
Picnic Blanket

Product Code: ECTURB100007

Follow Us on Social Media



Stay connected and follow us on social media for the latest updates, tips, and to share your adventures with the Hotomobil community!

By following us, you'll be the first to know about new products, exciting events, and the trade shows we participate in.

Join the Hotomobil community to connect with other Gladiator owners, share your travel stories, and gain inspiration for your next adventure.

scan me



Instagram

[instagram.com/hotomobil_worldwide](https://www.instagram.com/hotomobil_worldwide)



Facebook

[facebook.com/hotomobil](https://www.facebook.com/hotomobil)



YouTube:

[youtube.com/hotomobilcamper](https://www.youtube.com/hotomobilcamper)



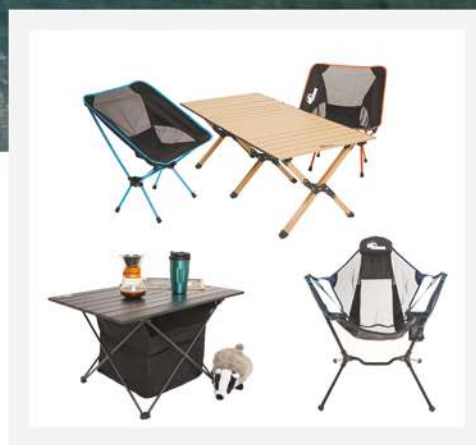
**Mobile
Living**
in *style*





Premium Outdoor & Adventure Gear

 Gear up & Go



Elevate Your Outdoor Experience with Urban Badger

Discover Urban Badger, your ultimate companion for premium outdoor gear. Our products, from durable tents to versatile camping accessories, are designed to enhance your adventure.

Urban Badger specializes in creating gear that blends comfort, practicality, and durability, ensuring you are well-equipped for any adventure. Whether you're camping, hiking, or exploring the great outdoors, trust Urban Badger to make your outdoor experiences more enjoyable and memorable.

Discover Our Range of Premium Outdoor Gear

- Tents
- Sleeping Bags & Mats
- Solar Shower
- Camping Kitchen
- Car Roof Tents
- Camping Chairs & Tables
- Telescopic Ladder
- Camping Accessories

urbanbadger.de

Grafenberger Allee 293, 40237
Dusseldorf, Germany
+49 211 946 240 34



GLADIATOR

**USA Size
Expansive Comfort
for Limitless Journeys**



Grafenberger Allee 293,
40237, Dusseldorf, Germany
+49 211 946 240 34

[hotomobil.com](https://www.hotomobil.com)

HOTOMOBIL
Mobile Living in Style